



Trunk and Distribution Adapters

Adapters are essential components to configure equipment for aerial and underground applications and are used to change the direction of the cable where space is limited or where tight bends are required. Our adapters allow room to economize the enclosures installed on municipal and customer properties. They eliminate the need for excess splicing in system rebuilds and reduce the number of cables damaged through tight bending radiuses and other installation challenges. Seizure screws or socket contacts are used to make contact with the mating connector pin.

Seizure Series Adapters

- Seizure screw versions use a screw to tighten down on either the cable's center conductor in feed thru connectors or the pin of the mating connector or adapter

Socket Series Adapters

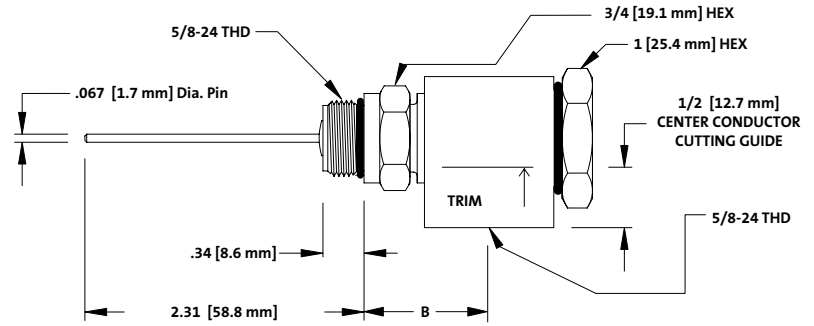
- Socket contact adapters automatically make contact with the pin of the mating connector or adapter as the KS male port is threaded into the adapter
- Both style of adapters are available with either jam nuts or swivel KS male ports to allow for proper orientation
- Reusable
- Center conductor trim guide

90 Degree Seizure Screw Adapters

Note: All 90 Degree Adapters on this page have 5/8-24 internal threads. (internal seizure accepts Center Conductors of .151 [3.8 mm] MAX.)

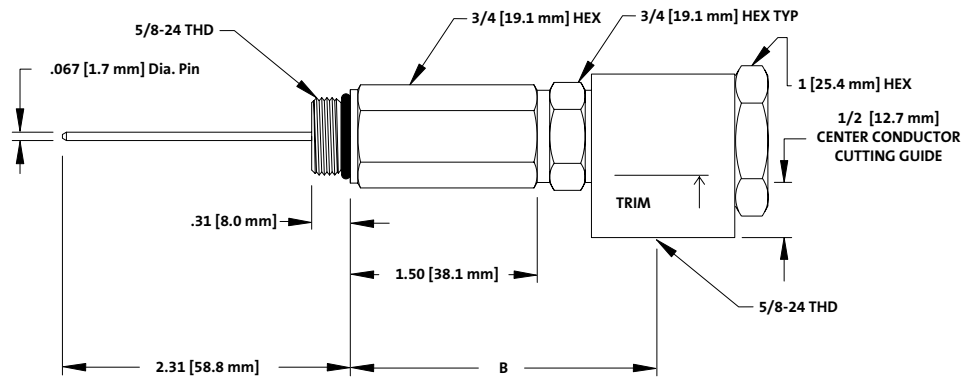
90° Seizure Screw

Part Number	(B)
GP-90-T	1.00



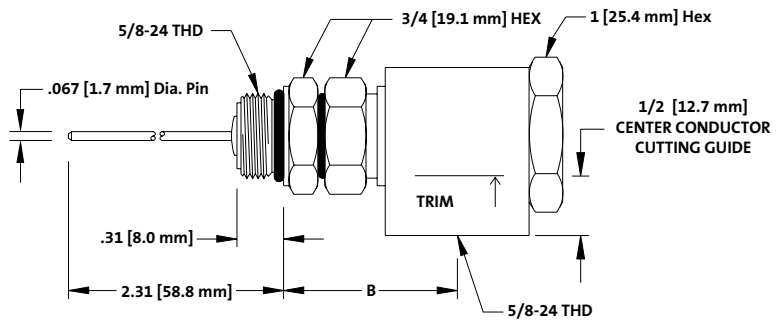
90° Seizure Extension

Part Number	(B)
GP-90-3.0-T	2.22
GP-90-4.5-T	3.72



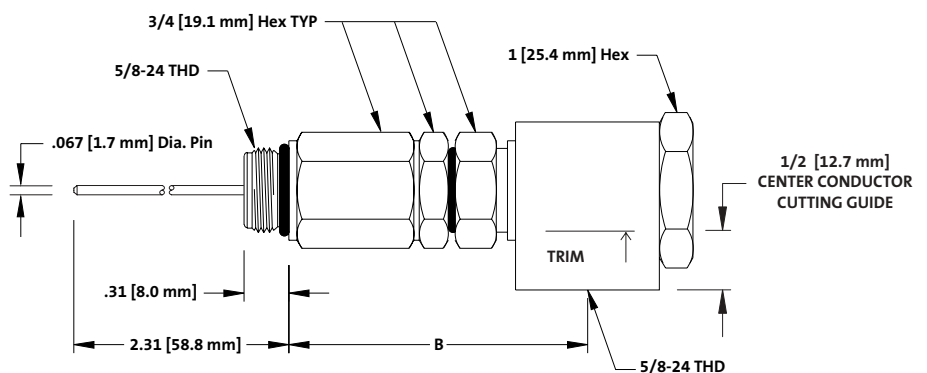
90° Seizure Swivel

Part Number	(B)
GP-90-S-T	1.29

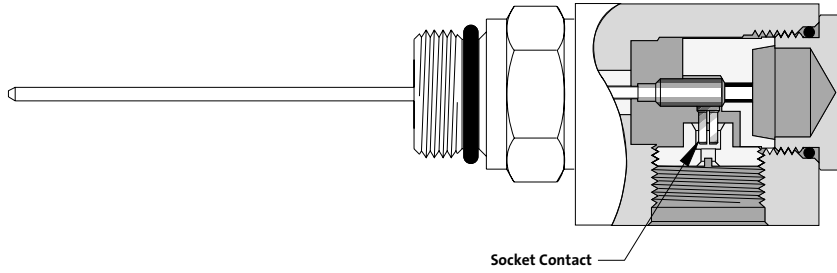


90° Seizure Swivel Ext.

Part Number	(B)
GP-90-S-3.0-T	2.22
GP-90-S-4.5-T	3.72

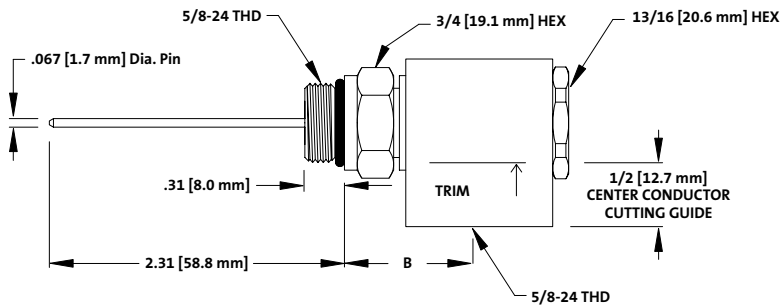


90 Degree Socket Contact Adapters



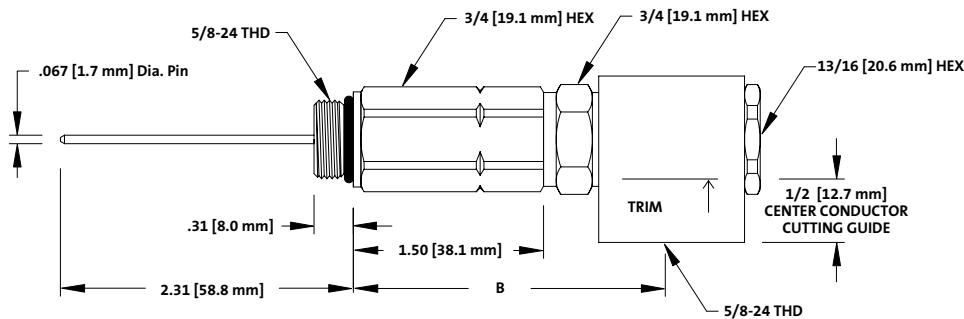
Socket Contact Adapters

- Beryllium copper socket contact design accepts pin diameter from .065 to .075 in. [1.65 to 1.90 mm].
- Bright acid tin plated brass pin.
- AC power rating: 15 amps continuous.
- Return loss: >30 db to 1 GHz.
- KS male and KS female ports meet SCTE interface practice standards.
- Body manufactured from ASTM 6262 aluminum alloy with chromate conversion coating.



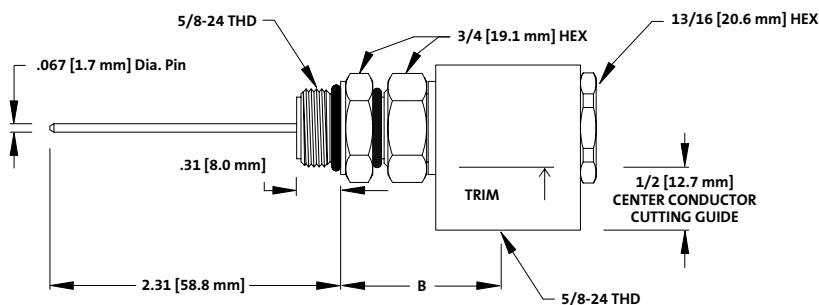
90° Socket

Part Number	(B)
GL-90-SC-T	1.00
Accepts .065 [1.7mm] thru .075 [1.9mm] pin dia.	



90° Socket Ext.

Part Number	(B)
GL-90-SC-w/1.5-T	2.46
GL-90-SC-w/3-T	3.96
GL-90-SC-w/4.5-T	5.46
GL-90-SC-w/6-T	6.96
GL-90-SC-w/9-T	9.96
Accepts .065 [1.7mm] thru .075 [1.9mm] pin dia.	



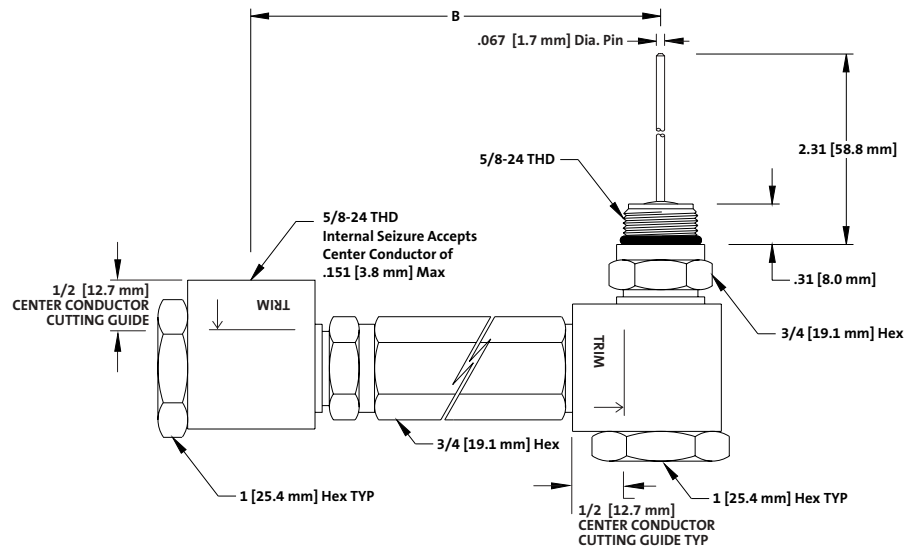
90° Socket Swivel

Part Number	(B)
GL-90-SC-S-T	1.29
Accepts .065 [1.7mm] thru .075 [1.9mm] pin dia.	

180 Degree Adapters

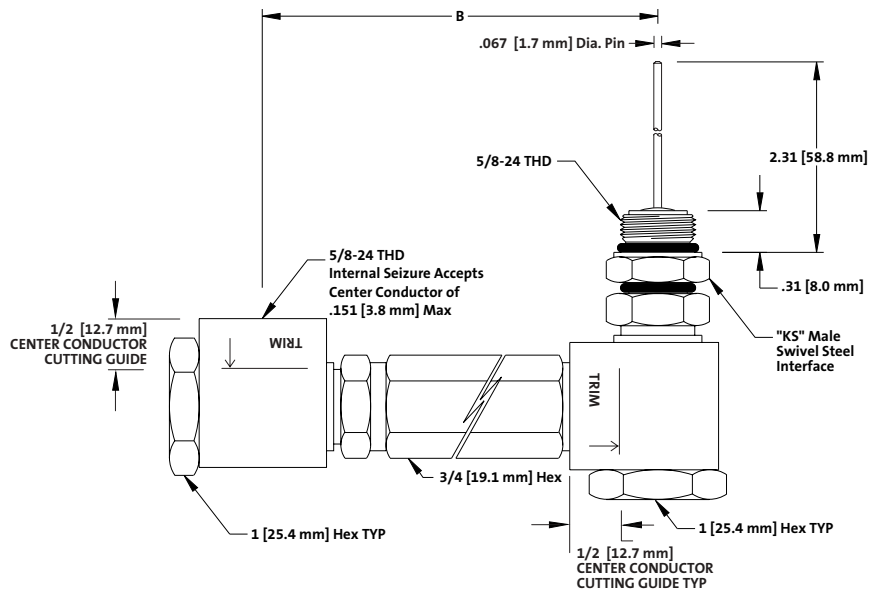
180° Seizure Screw

Part Number	(B)
GP-PA-T	5.18
GP-PA-3.0-T	3.00
GP-PA-4.5-T	4.50



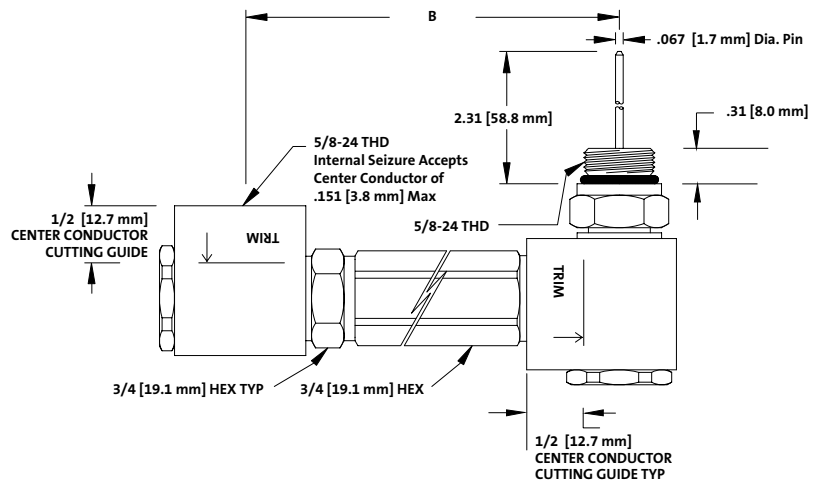
180° Seizure Screw Swivel

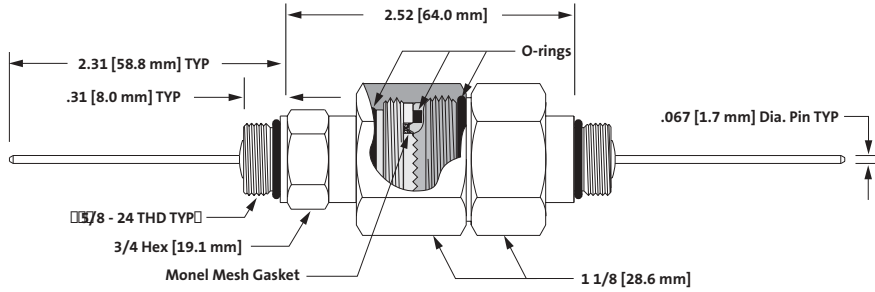
Part Number	(B)
GP-PA-5-T	5.18
GP-PA-5-3.0-T	3.00
GP-PA-5-4.5-T	4.50



180° Socket Contact

Part Number	(B)
GL-180-SC-w/1.5-T	3.25
GL-180-SC-w/3-T	4.75
GL-180-SC-w/4.5-T	6.25
GL-180-SC-w/6-T	7.75
GL-180-SC-w/9-T	10.75



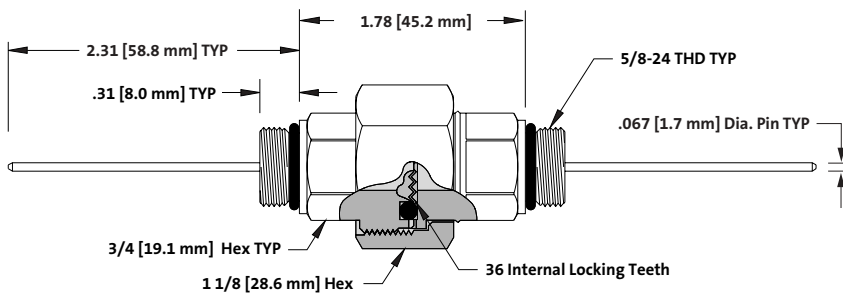


Sealed Locking Rotational

Part Number

G-KS-KS-MLKG-T

- 36 Rotational Locking Teeth
- Monel Mesh Gasket
- 5 O-rings seals
- Domed Insulators

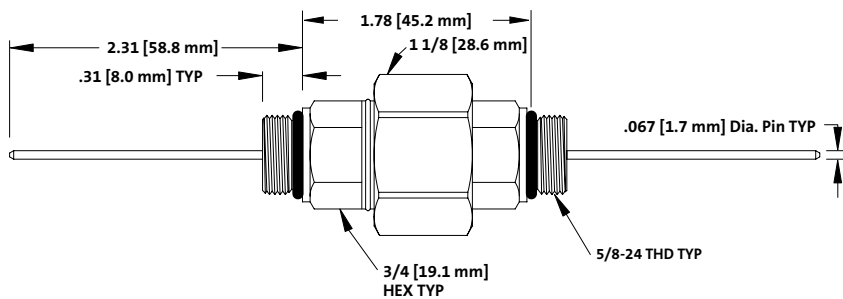


Locking Rotational

Part Number

G-KS-KS-MLK-T

- 36 Rotational Locking Teeth
- Short Overall Length

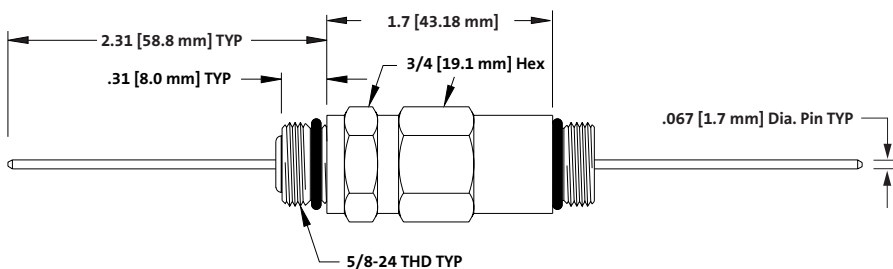


Rotational

Part Number

G-KS-KS-M-T

- Short Overall Length



Non-Rotational

Part Number

G-KS-KS-M-NR-T

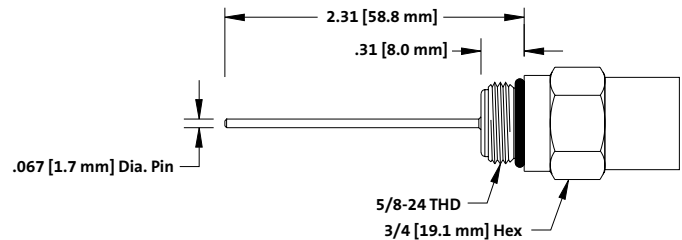
Housing Terminators

These 75 ohm housing terminators block AC power and terminate RF signals in 75 Ohm characteristic impedance.

High Performance Terminator

Part Number
G-SPTR-M-T

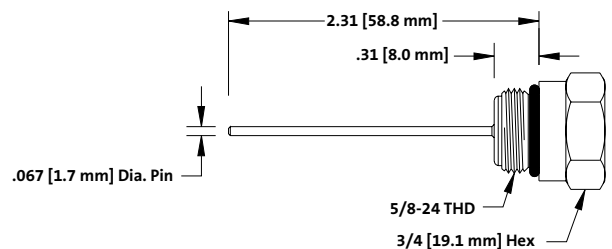
- Return loss 30 dB at 1 GHz
- Withstands 6 Kv surge per IEEE C62.41 combination wave
- Soldered construction for reliable performance
- Excellent CPD performance
- Impedance 75 ohm nominal
- KS male port meets SCTE interface practice standards
- Body manufactured from 6000 series aluminum with a gold chromate conversion coating
- Tin alloy plated brass pin
- UV and ozone resistant EPDM o-ring



Performance Housing Terminator

Part Number
GTR-KS-M-T

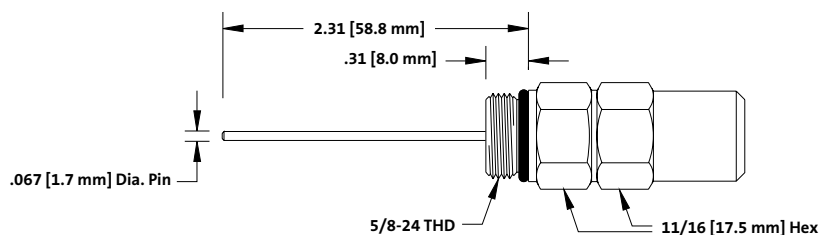
- Body: Brass Alloy C 36000
- Finish: Bright Acid Tin Plating
- Frequency: To 1 GHZ
- One piece body design to eliminate possible ingress/egress of RF
- Impedance 75 ohm nominal
- 300 V — AC Rating



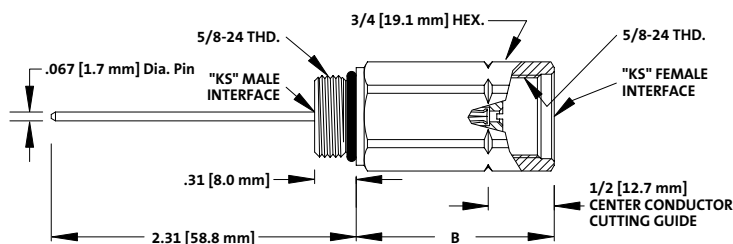
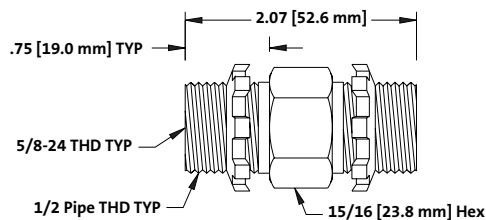
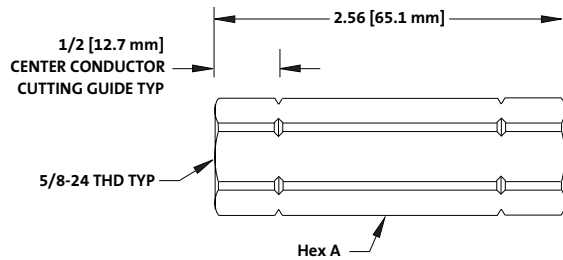
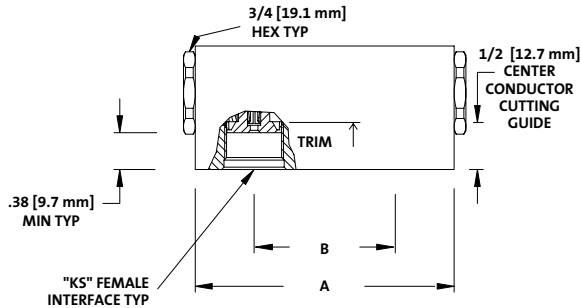
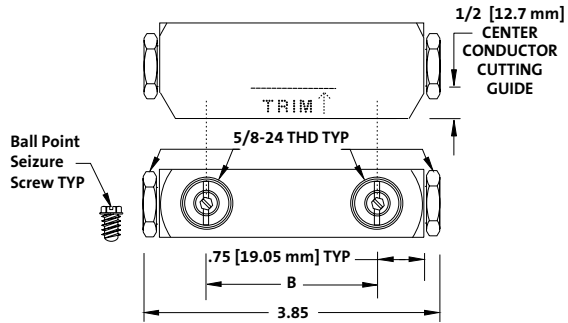
Housing Terminator

Part Number
GTR-M-T

- Terminates both 60 cycle AC and RF signal
- Highly reliable
- Body manufactured from 6262 aluminum alloy used for maximum corrosion resistance
- Impedance 75 ohm nominal



Splice Blocks and Socket Contact Adapters



Splice Block

Part Number	B
G-SPB-2.00	2.00
G-SPB-2.75	2.75

A ball point seizure screw is utilized to eliminate plating damage on the mating pin connector.

Screw Contact

Pedestal Splice Block

Part Number	(A)	(B)
G-PED-SP-1.50	3.35	1.50
G-PED-SP-2.00	3.85	2.00
G-PED-SP-2.75	4.60	2.75

Accepts .065"-0.75" pins

Socket Contact

Female Splice

Part Number	Hex (A)
G-KS-KS-FS	3/4
G-KS-KS-FSL	1-1/4

Accepts .065"-0.75" pins

Socket Contact

Female Splice

Part Number	Hex (A)
G-KS-KS-FS-EC	3/4

Accepts .065"-0.75" pins

Socket Contact

Extension Adapter

Part Number	(B)
G-EXT-1.5-SC-T	1.50
G-EXT-3-SC-T	3.00
G-EXT-4.5-SC-T	4.50
G-EXT-6-SC-T	6.00
G-EXT-9-SC-T	9.00

Accepts .065"-0.75" pins

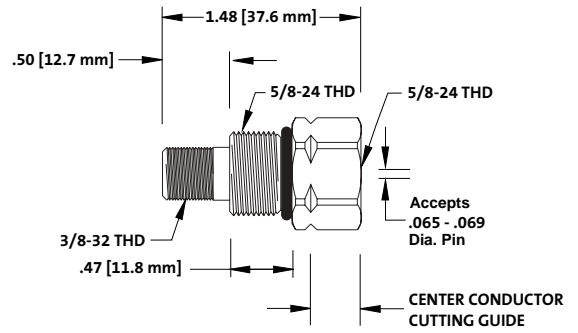
Socket Contact

KS Female Adapters

KS Female to "F" Female

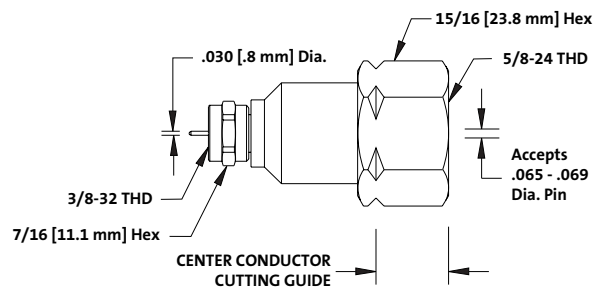
Part Number	Pin Accepted
G-CH-BAFF-KS	.022 - .047

"F" Female adapter designed for outdoor applications when used with Seal Ring (G-SR-1/2) and UltraSeal or Corning Gilbert 360 connectors



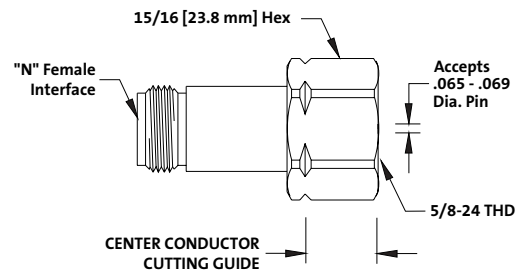
KS Female to "F" Male

Part Number
G-CH-AFM



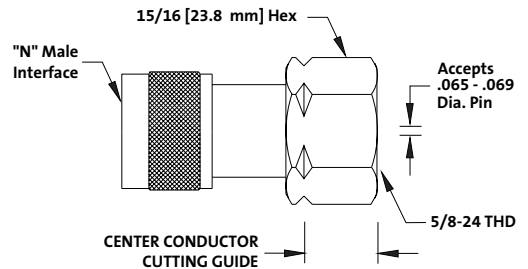
KS FEMALE TO N-FEMALE

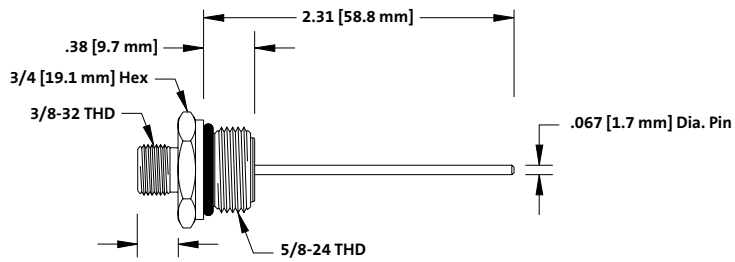
Part Number	Impedance
G-CH-N-50-F	50 Ohm - 75 Ohm
G-CH-N-75-F	75 Ohm



KS Female to N-Male

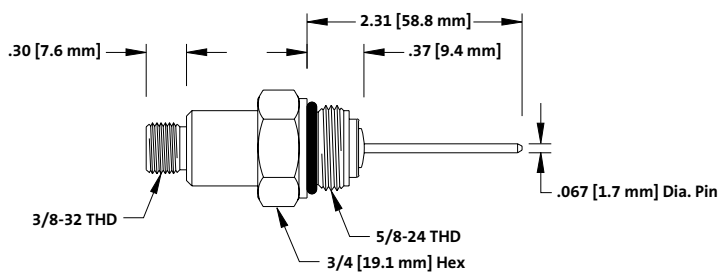
Part Number	Impedance
G-CH-N-50	50 Ohm
G-CH-N-75	75 Ohm





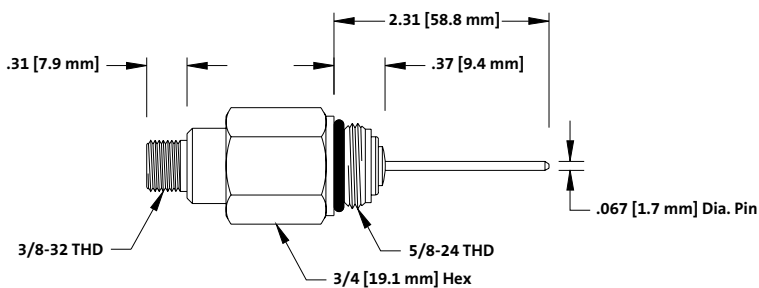
KS Male to "F" Female

Part Number	Pin Accepted
GF-625-CH-S-T	.020-.047



KS Male to "F" Female

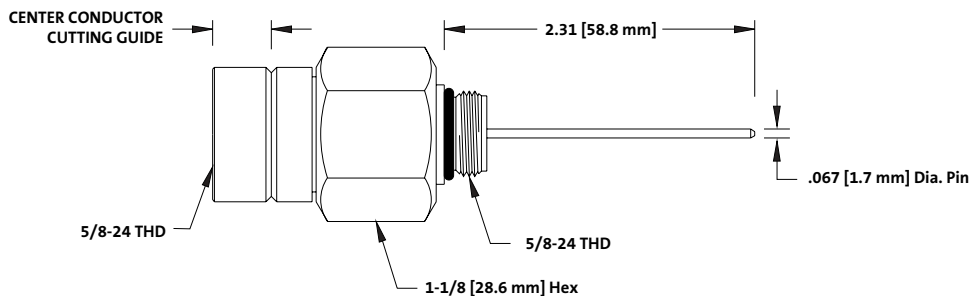
Part Number	Pin Accepted
GF-625-CH-T	.020-.047



KS Male to "F" Female

Part Number	Pin Accepted
GF-625-CH-DCB-T	.020-.047

60 Hz AC Power Block



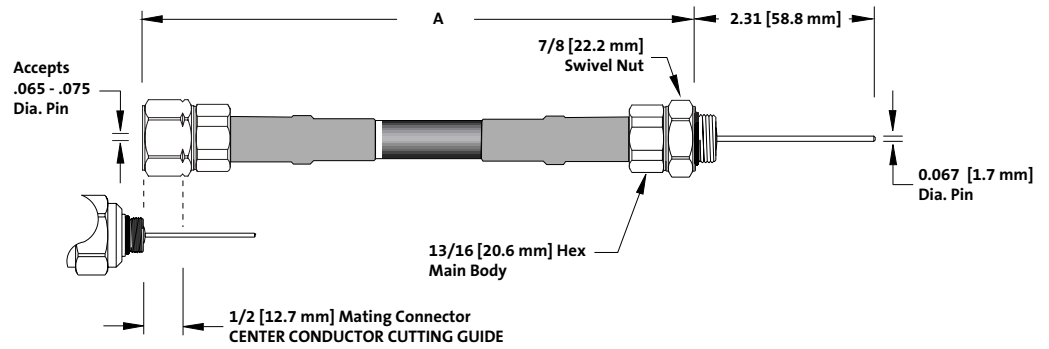
KS Male to KS Female

Part Number	Pin Accepted
G-KSM/KSF-DCB-T	.065-.075

60 Hz AC Power Block

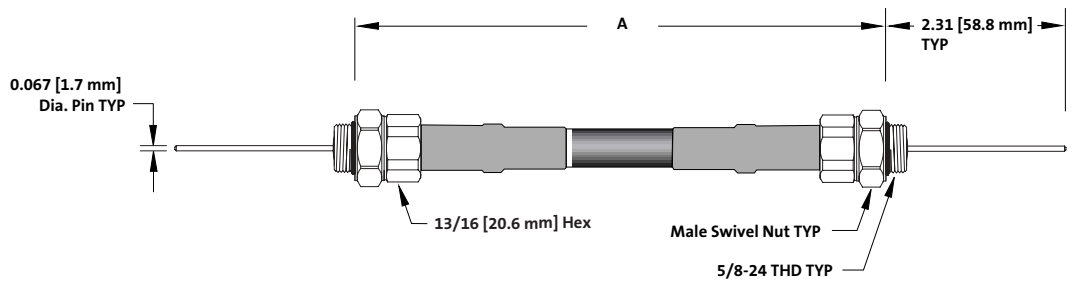


Gilbert Cable Assemblies



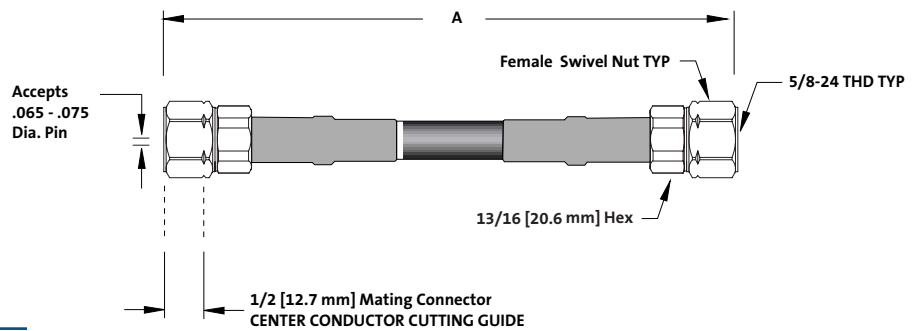
Female-Male GCA

Part Number	A (inches)	A (centimeters)
GCA-KSF-KSM-12	12"	[30.5 cm]
GCA-KSF-KSM-24	24"	[61.0 cm]
GCA-KSF-KSM-36	36"	[91.4 cm]
GCA-KSF-KSM-48	48"	[121.9 cm]



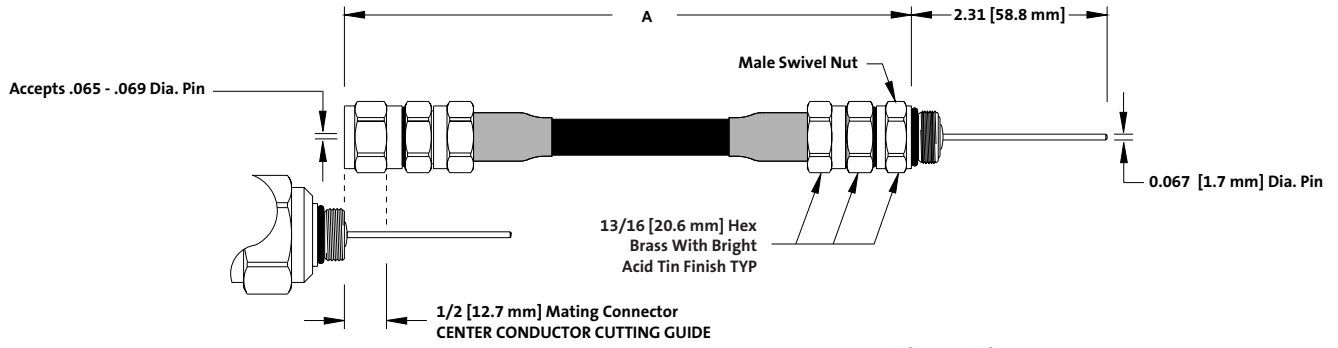
Male-Male GCA

Part Number	A (inches)	A (centimeters)
GCA-KSM-KSM-12	12"	[30.5 cm]
GCA-KSM-KSM-24	24"	[61.0 cm]
GCA-KSM-KSM-36	36"	[91.4 cm]
GCA-KSM-KSM-48	48"	[121.9 cm]



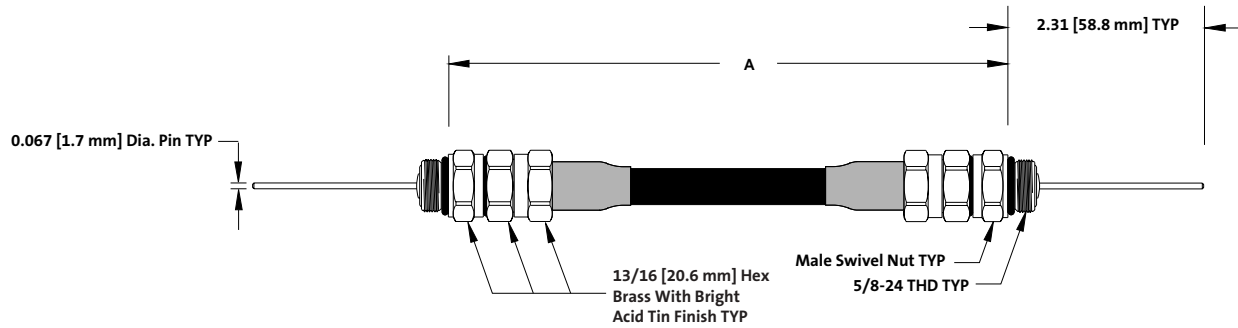
Female-Female GCA

Part Number	A (inches)	A (centimeters)
GCA-KSF-KSF-12	12"	[30.5 cm]
GCA-KSF-KSF-24	24"	[61.0 cm]
GCA-KSF-KSF-36	36"	[91.4 cm]
GCA-KSF-KSF-48	48"	[121.9 cm]



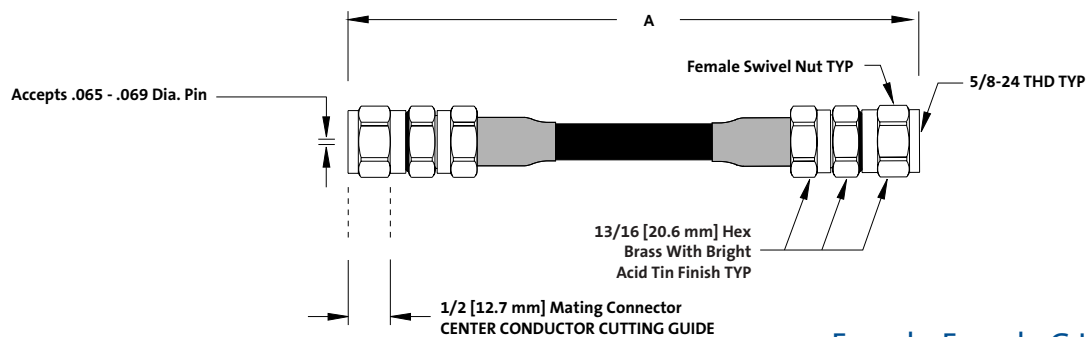
Female-Male G.I.C.

Part Number	A (inches)	A (centimeters)
GIC-KSFS-KSMS-T-70CM	27.5	70
GIC-KSFS-KSMS-T-100CM	39.4	100



Male-Male G.I.C.

Part Number	A (inches)	A (centimeters)
GIC-KSMS-T-KSMS-T-70CM	27.5	70
GIC-KSMS-T-KSMS-T-100CM	39.4	100

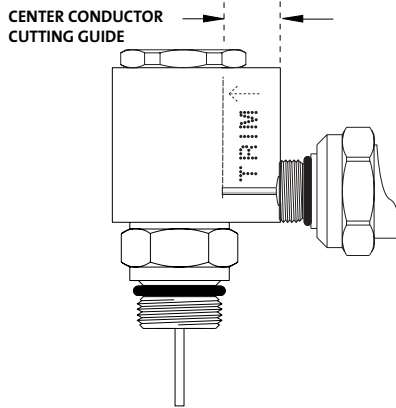


Female-Female G.I.C.

Part Number	A (inches)	A (centimeters)
GIC-KSFS-KSFS-70CM	27.5	70
GIC-KSFS-KSFS-100CM	39.4	100

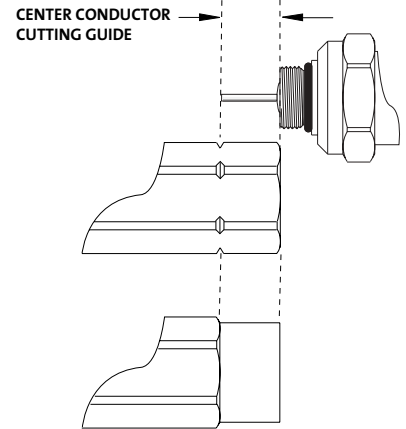
Adapter Trim Dimensions

Right Angle Adapters



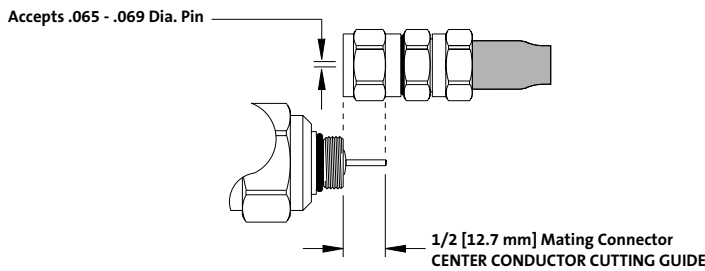
- GP-90-S-4.5-T
- GL-90-SC-T
- GP-90-SC-w/1.5-T
- GL-90-SC-S-T
- GP-PA-T
- GP-PA-3.0-T
- GL-180-SC-w/1.5-T
- GL-180-SC-w/3-T
- GL-180-SC-w/4.5-T
- GL-180-SC-w/6-T
- GL-90-SC-w/9-T

Extension/Splice Adapters



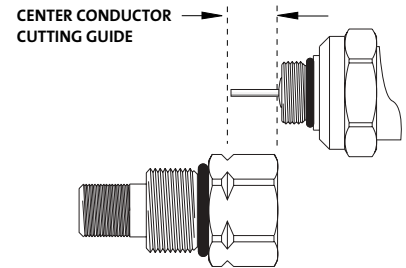
- G-KS-KS-FS
- G-KS-KS-FSL
- G-EXT-1.5-SC-T
- G-EXT-3-SC-T
- G-EXT-4.5-SC-T
- G-EXT-6-SC-T
- G-EXT-9-SC-T

GIC



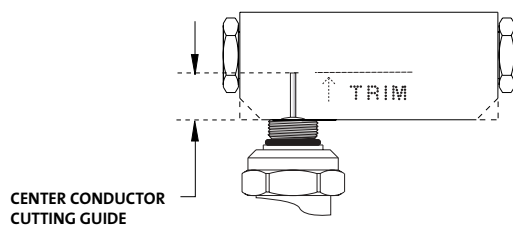
- GIC-KSFS-KSMS-T-70CM
- GIC-KSFS-KSMS-T-100CM
- GIC-KSMS-T-KSMS-T-70CM
- GIC-KSMS-T-KSMS-T-100CM
- GIC-KSFS-KSFS-70CM
- GIC-KSFS-KSFS-100CM

KS Female Adapters



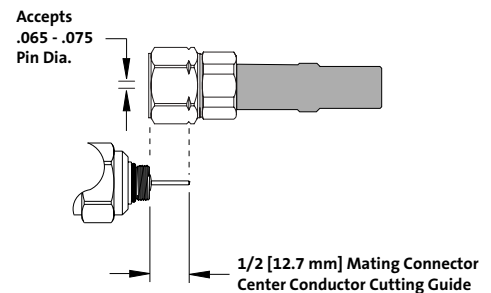
- G-CH-BAFF-KS
- G-CH-AFM
- G-CH-N-50-F
- G-CH-N-75-F
- G-CH-N-50
- G-CH-N-75
- G-KSM/KSF-DCB-T

Pedestal Splice Blocks



- G-SPB-2.00
- G-SPB-2.75
- G-PED-SP-1.50
- G-PED-SP-2.00
- G-PED-SP-2.75

GCA



- GCA-KSF-KSM-12
- GCA-KSF-KSM-36
- GCA-KSM-KSM-12
- GCA-KSM-KSM-36
- GCA-KSF-KSF-12
- GCA-KSF-KSF-36
- GCA-KSF-KSM-24
- GCA-KSF-KSM-48
- GCA-KSM-KSM-24
- GCA-KSM-KSM-48
- GCA-KSF-KSF-24
- GCA-KSF-KSF-48